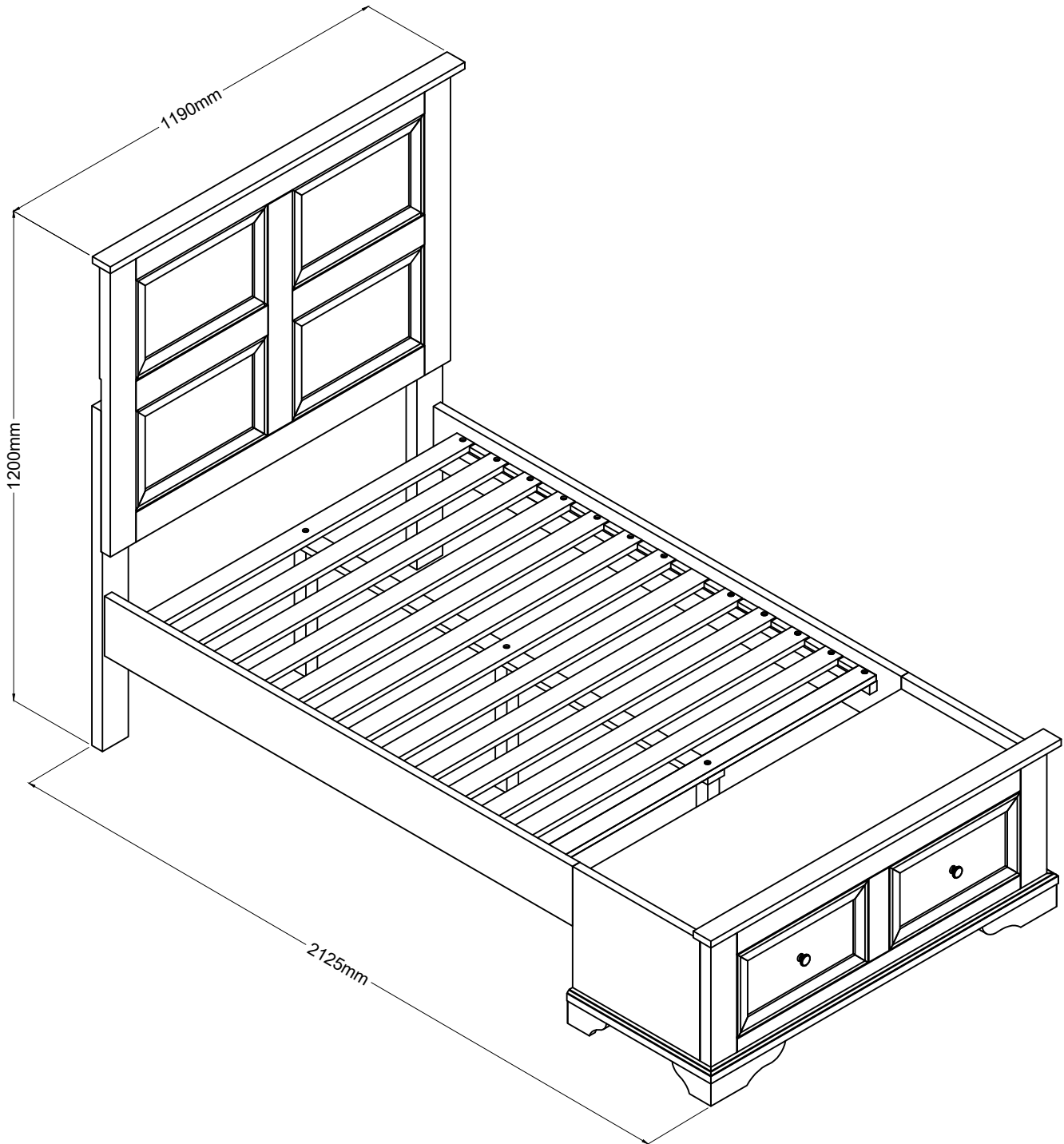




ASSEMBLY INSTRUCTION CHANELLE KING SINGLE BED ITEM CODE 64406,77148

Imported by Amart Furniture Pty Ltd, Qld, Brisbane Australia.
For any assistance with assembly or for missing parts please phone
Amart Furniture, Customer Service Free call 1800 351 084

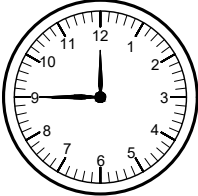




Imported by Amart Furniture Pty Ltd, Qld, Brisbane Australia.
For any assistance with assembly or for missing parts please phone
Amart Furniture, Customer Service Free call 1800 351 084

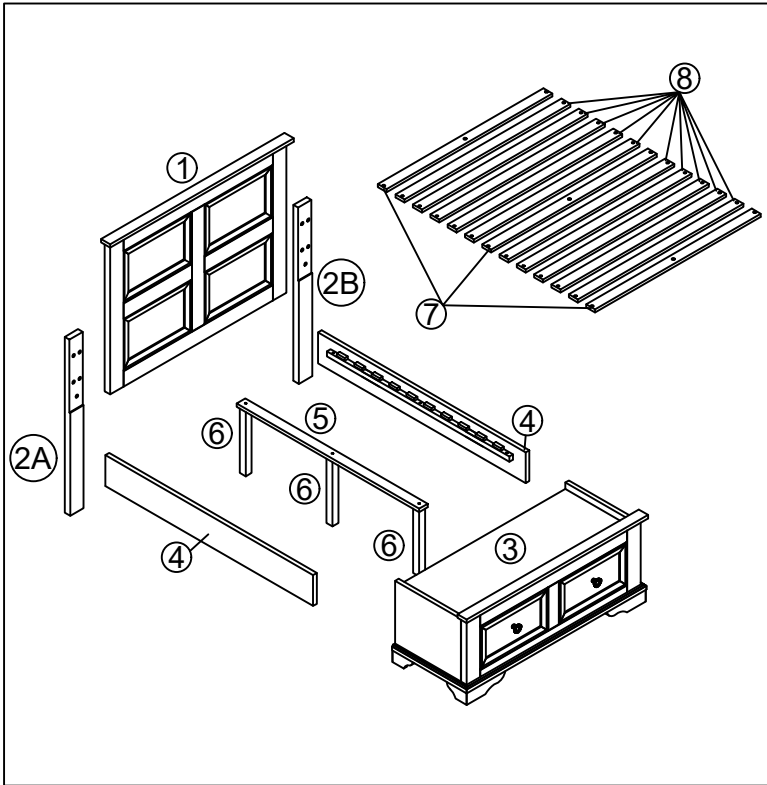
PRE-ASSEMBLY PREPARATION

Before you start:

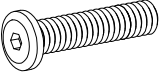
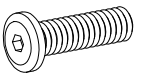
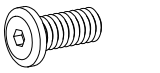
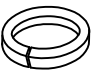


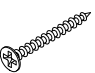

1. Choose a clean, level, spacious assembly area. Avoid hard surfaces that may damage the product
2. Take care when lifting. Product should be assembled as near as possible to the point of use
3. Ensure that you have all required contents for complete assembly
4. Always read the assembly instructions carefully before beginning assembly.
5. Keep all hardware parts and packaging out of reach of small children.
6. Do not over tighten the screws and bolts as this may damage the threads

	 x2
ALLOW 45 MINUTES	2 PEOPLE REQUIRED
	
ADDITIONAL TOOL REQUIRED (not include)	

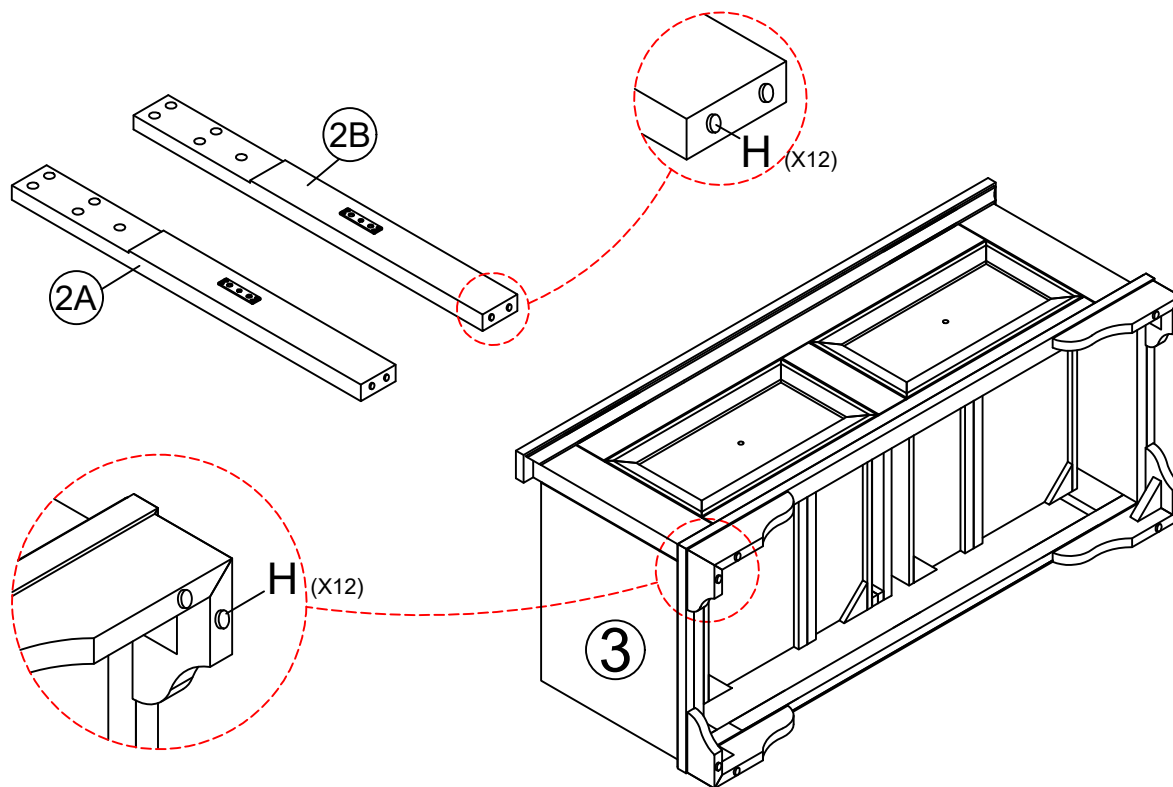
PARTS LIST



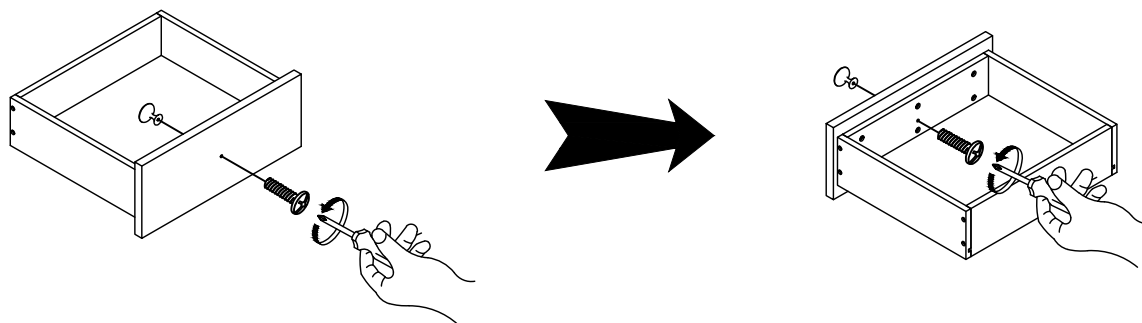
NO	PART LIST	QTY
1	Headboard	1 PC
2A	Left headboard leg	1 PC
2B	Right headboard leg	1 PC
3	Footboard	1 PC
4	Side rails	2 PCS
5	Slat support bar	1 PC
6	Support legs	3 PCS
7	Slats	3 PCS
8	Middle slats	10 PCS

<p>A Bolt</p>  <p>M6 x 60mm 3xA</p>	<p>B Bolt</p>  <p>M6 x 35mm 16xB</p>	<p>C Bolt</p>  <p>M8 x 25mm 8xC</p>
<p>D Spring washer</p>  <p>M6 x Ø11 x 1,5mm 10xD</p>	<p>E Flat washer</p>  <p>M6 x Ø14 x 1mm 10xE</p>	<p>F Allen key</p>  <p>4mm 1xF</p>
<p>G Screw</p>  <p>M4 x 30mm 20xG</p>	<p>H Adhesive felt pad</p>  <p>Ø20 x 5mm 12xH</p>	

STEP 1: With two people carefully lay the Footboard on to a sheet or piece of cardboard.
Attach adhesive felt pad (H) onto the legs.
With two people carefully stand the Footboard upright.

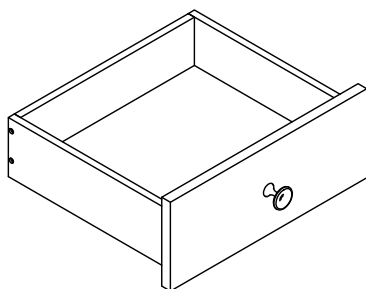


STEP 2: Attach the drawer handle

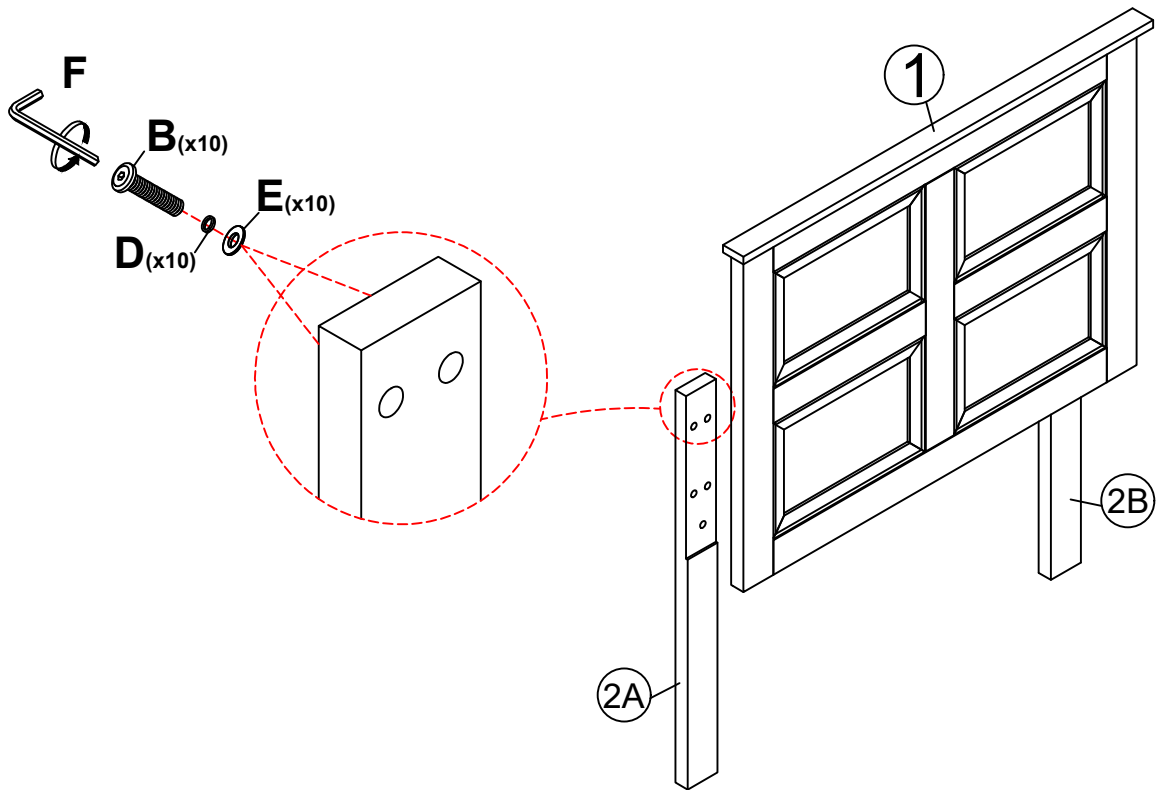


Remove handles from inside drawers using a screwdriver to undo the bolts.

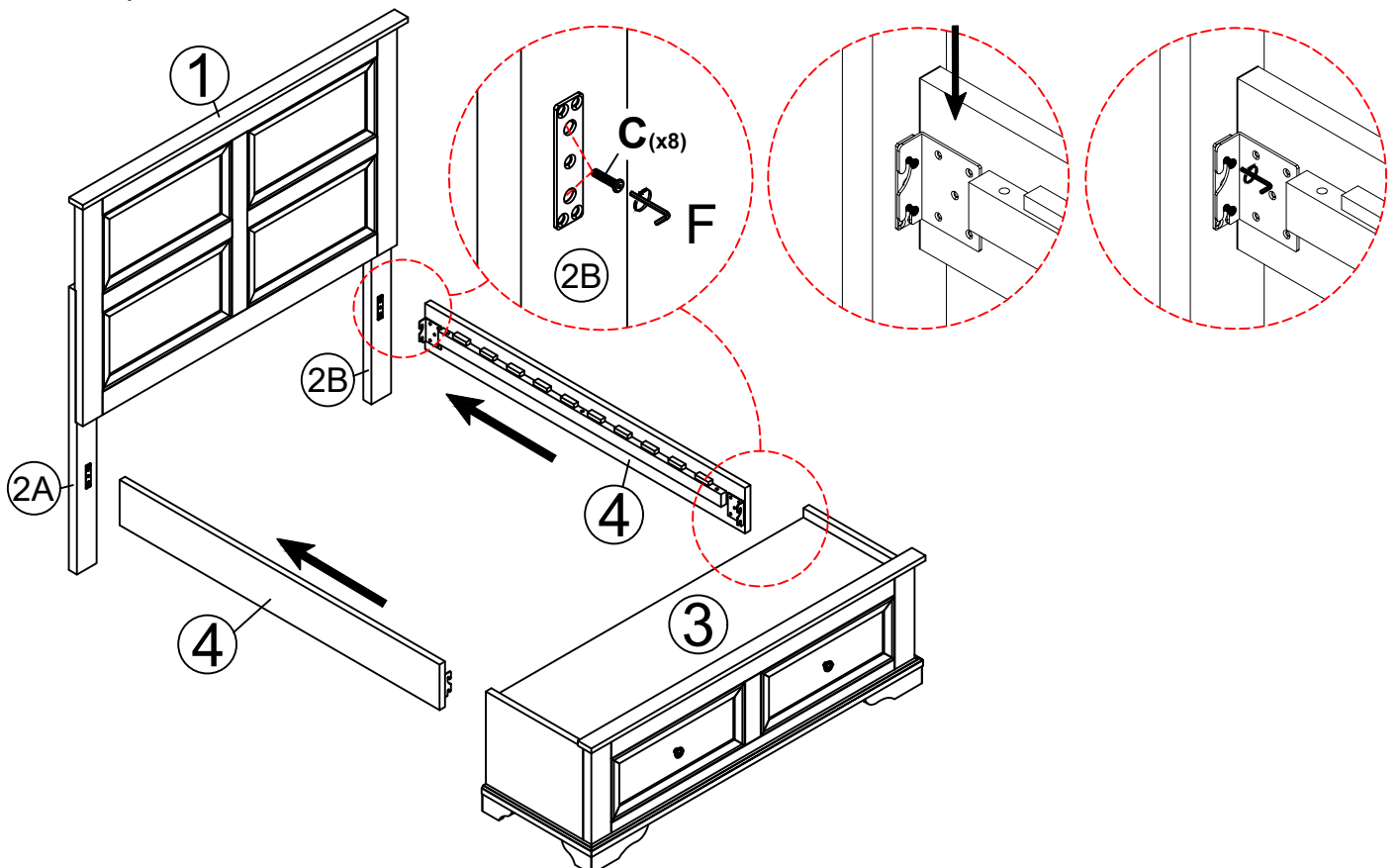
Attach handles to drawer fronts by connecting the handle to the bolt through the pre-drilled hole and tighten with a screwdriver



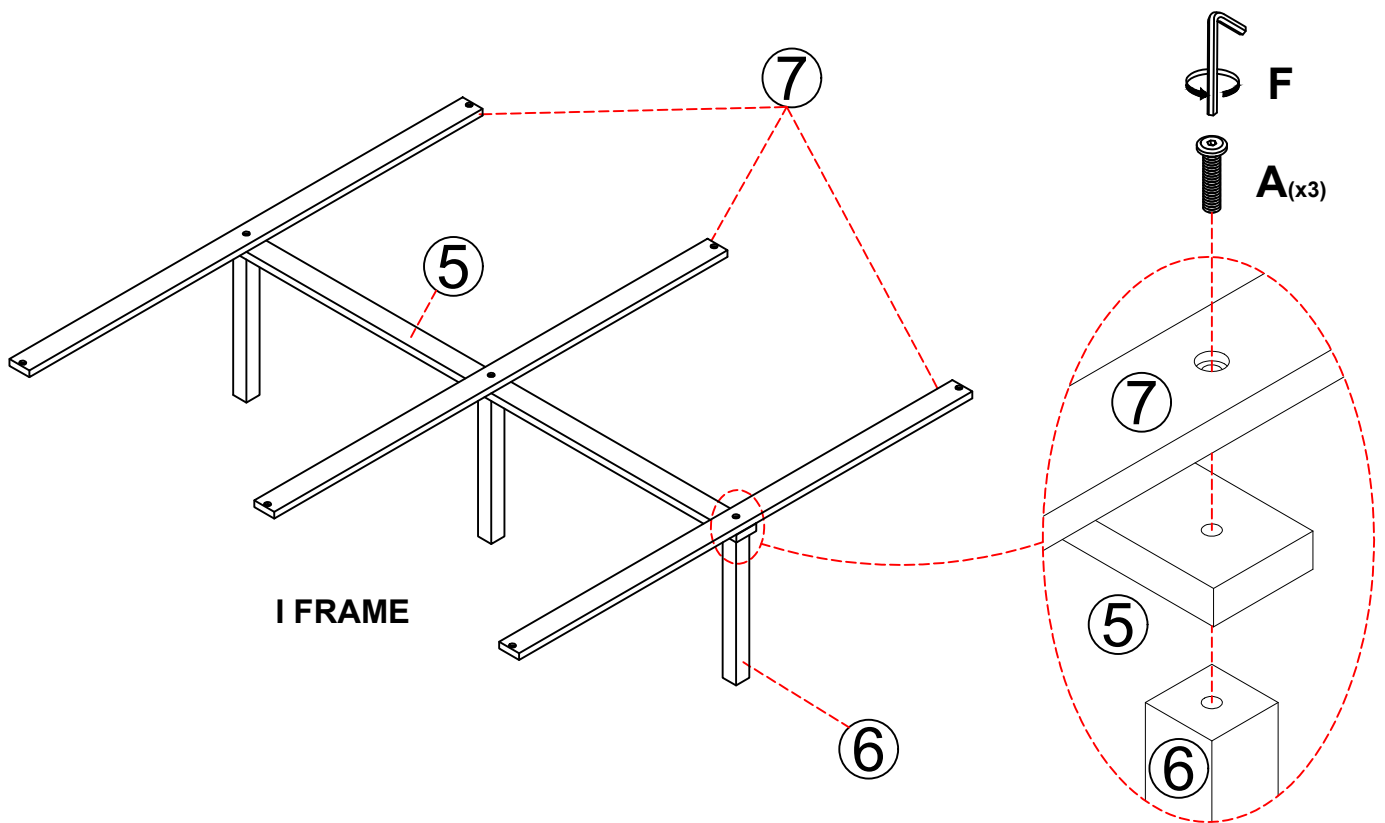
STEP 3: Tighten the headboard leg (2A), (2B) to headboard (1) with bolts (B), spring washer (D) and flat washer (E).



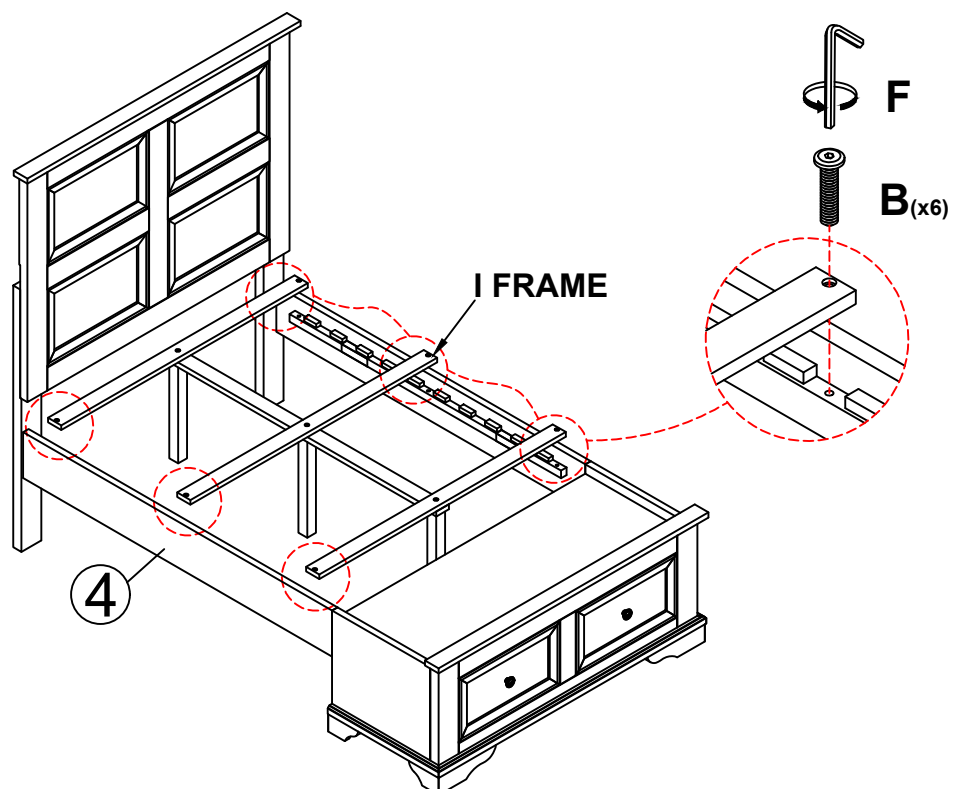
STEP 4: Attach side rails (4) to headboard legs (2A), (2B) and footboard (3) by interlocking the brackets on the side rails with the bolt (C) on the headboard/footboard and then push down to lock in place.



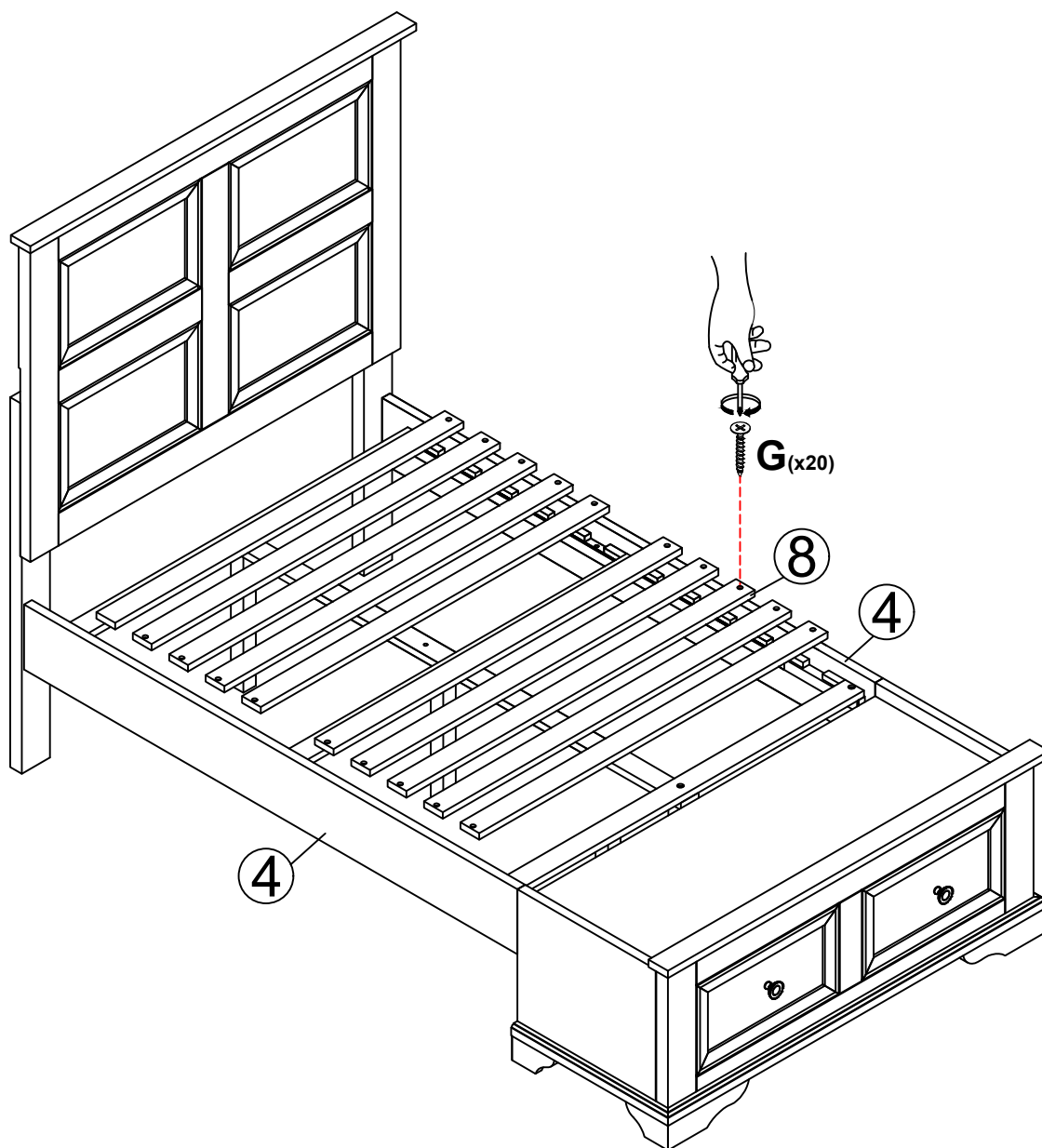
STEP 5: Tighten the slats (7) and slat support bar (5) to all support legs (6) with bolt (A). Assemble these parts into an **I frame** bed frame.



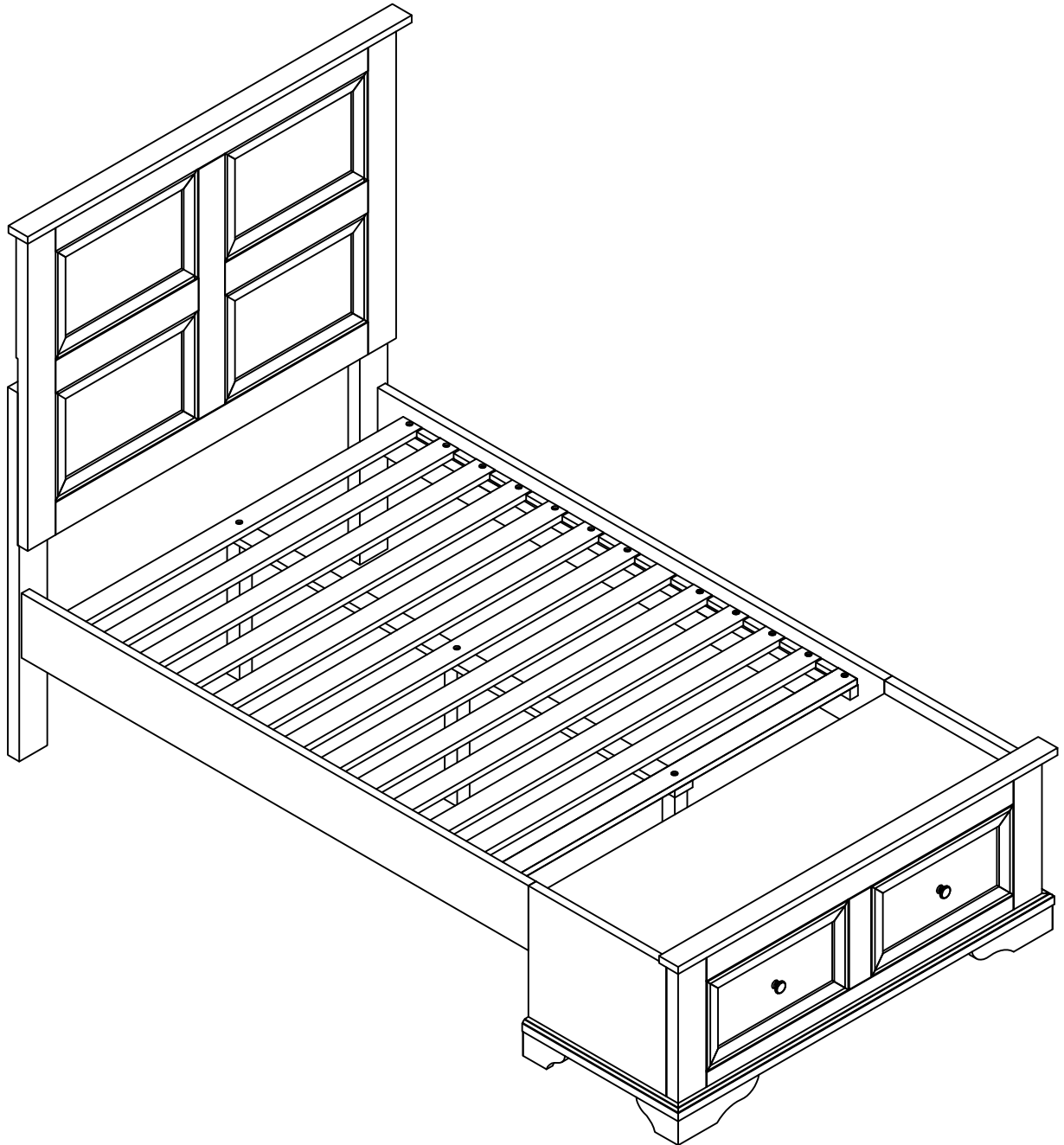
STEP 6: Use two people to place **I frame** onto the side rail. Attach **I frame** onto the side rail (4) using bolt (B),tighten it up by using an allen key (F).



STEP 7: Attach the middle slats (8) onto the side rail (4) using the screws (G), tighten it up by using a screwdriver.



ASSEMBLY IS COMPLETE



CAUTION:

ALWAYS LIFT YOUR BED WHEN MOVING/RELOCATING - DO NOT DRAG. DRAGGING CAN CAUSE THE CENTRE SUPPORT LEGS TO BEND/BREAK

IMPORTANT NOTE:

THE FELT PAD ON THE BOTTOM OF THE CHAIR LEG IS SUBJECT TO WEAR. AMART RECOMMENDS REGULAR ROUTINE CHECKS AND REPLACEMENT WHERE NECESSARY.

IMPORTANT: CARE GUIDE FOR YOUR TIMBER FURNITURE

Congratulations! You have just purchased a quality product from Amart furniture.

Please read on for important information regarding your purchase...

A multi-step finish is applied to all our furniture, but all wood comes from nature. Because of this, there will be natural variations in surface texture and grain like knots, mineral streaks and sap runs that may affect the finish.

These differences in character are not defects, but distinctions that make each piece of furniture unique.

Our furniture is built to last. Following these steps, basic care should protect your investment for years to come.

- Dust frequently with a clean damp lint-free cloth. This will help remove abrasive build up which can damage a finish over time.
- Do not place hot objects on any Furniture surface. Always use a suitable placemat. Laminate and lacquer finishes on table tops provide added scratch and heat resistance to our furniture, but they can still be damaged without proper care.
- Avoid exposing your furniture to strong sunlight, heat, open windows or dampness. Prolonged exposure to direct sunlight can fade the finish of your furniture, and sudden extreme temperature and humidity changes can cause cracking or splitting.
- Do not expose your furniture to any liquids. Never allow water to sit on your furniture. Alcohol, nail polish and perfume are also dangerous as they will dissolve the lacquer finish on contact and may require professional repairs.
- Do not allow plastic to come in direct contact with your furniture. Chemicals in the plastic of placemats etc may soften and mark the finish if left in contact with the furniture for a period of time.

